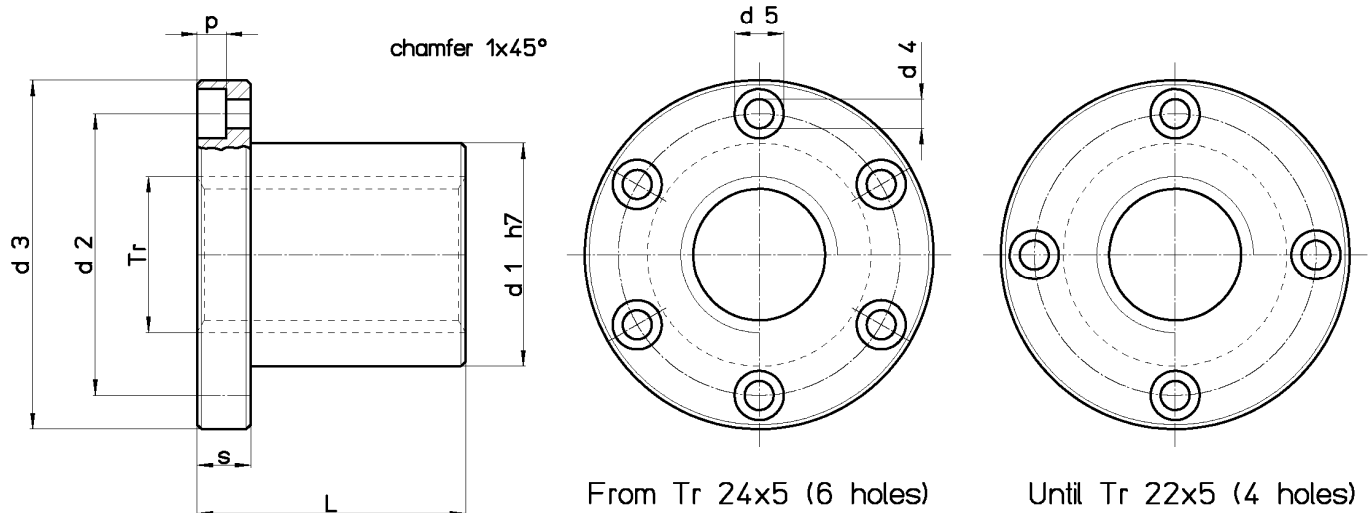


Trapezoidal nut type FXN - Flanged bronze

Material: EN 1982 Cu Sn12-C – CC483K

Tin bronze nut especially suitable for continuous movement with good wear resistance. Good lubrication is recommended. Flange dimensions make them fully interchangeable with FTN, HDL, HAL and FCS (total length and flange thickness change).



| Nut Stock no. RIGHT | Nut Stock no. LEFT | Diameter x lead | Thread starts | d1 mm | d2 mm | d3 mm | d4 mm | d5 mm | p mm | L mm | s mm | no. screw holes | Fastening screws (class 8.8) | Wt. kg/each | At mm ² (1) |
|----------------------------|---------------------------|-----------------|---------------|-------|-------|-------|-------|-------|------|------|------|-----------------|------------------------------|-------------|------------------------|
| FXN 10 A R | FXN 10 A L | Tr 10x3 | 1 | 18 | 26 | 37 | 4.5 | 7.5 | 4.2 | 22 | 8 | 4 | M4 | 0.088 | 294 |
| FXN 12 A R | FXN 12 A L | Tr 12x3 | 1 | 18 | 26 | 37 | 4.5 | 7.5 | 4.2 | 22 | 8 | 4 | M4 | 0.082 | 362 |
| FXN 12 B R | -- | Tr 12x6 (P3) | 2 | 18 | 26 | 37 | 4.5 | 7.5 | 4.2 | 22 | 8 | 4 | M4 | 0.082 | 362 |
| FXN 14 A R | FXN 14 A L | Tr 14x4 | 1 | 20 | 30 | 42 | 5.5 | 9.5 | 5.2 | 25 | 10 | 4 | M5 | 0.123 | 470 |
| FXN 16 A R | FXN 16 A L | Tr 16x4 | 1 | 22 | 32 | 45 | 5.5 | 9.5 | 5.2 | 30 | 10 | 4 | M5 | 0.149 | 660 |
| FXN 16 B R | -- | Tr 16x8 (P4) | 2 | 22 | 32 | 45 | 5.5 | 9.5 | 5.2 | 30 | 10 | 4 | M5 | 0.149 | 660 |
| FXN 18 A R | FXN 18 A L | Tr 18x4 | 1 | 25 | 35 | 48 | 5.5 | 9.5 | 5.2 | 35 | 10 | 4 | M5 | 0.188 | 880 |
| FXN 20 A R | FXN 20 A L | Tr 20x4 | 1 | 30 | 40 | 52 | 5.5 | 9.5 | 5.2 | 40 | 10 | 4 | M5 | 0.267 | 1130 |
| FXN 20 B R | -- | Tr 20x8 (P4) | 2 | 30 | 40 | 52 | 5.5 | 9.5 | 5.2 | 40 | 10 | 4 | M5 | 0.267 | 1130 |
| FXN 20 D R | -- | Tr 20x20 (P5) | 4 | 30 | 40 | 52 | 5.5 | 9.5 | 5.2 | 40 | 10 | 4 | M5 | 0.270 | 1100 |
| FXN 22 A R | FXN 22 A L | Tr 22x5 | 1 | 30 | 40 | 52 | 5.5 | 9.5 | 5.2 | 40 | 10 | 4 | M5 | 0.247 | 1225 |
| FXN 24 A R | FXN 24 A L | Tr 24x5 | 1 | 35 | 48 | 62 | 6.5 | 11 | 6.5 | 45 | 12 | 6 | M6 | 0.408 | 1520 |
| FXN 25 A R | FXN 25 A L | Tr 25x5 | 1 | 35 | 48 | 62 | 6.5 | 11 | 6.5 | 45 | 12 | 6 | M6 | 0.393 | 1590 |
| FXN 25 B R | -- | Tr 25x10 (P5) | 2 | 35 | 48 | 62 | 6.5 | 11 | 6.5 | 45 | 12 | 6 | M6 | 0.393 | 1590 |
| FXN 25 E R | -- | Tr 25x25 (P5) | 5 | 35 | 48 | 62 | 6.5 | 11 | 6.5 | 45 | 12 | 6 | M6 | 0.393 | 1590 |
| FXN 26 A R | FXN 26 A L | Tr 26x5 | 1 | 35 | 48 | 62 | 6.5 | 11 | 6.5 | 45 | 12 | 6 | M6 | 0.378 | 1660 |
| FXN 28 A R | FXN 28 A L | Tr 28x5 | 1 | 40 | 53 | 68 | 6.5 | 11 | 6.5 | 50 | 12 | 6 | M6 | 0.532 | 2000 |
| FXN 28 B R | -- | Tr 28x10 (P5) | 2 | 40 | 53 | 68 | 6.5 | 11 | 6.5 | 50 | 12 | 6 | M6 | 0.532 | 2000 |
| FXN 30 A R | FXN 30 A L | Tr 30x6 | 1 | 40 | 53 | 68 | 6.5 | 11 | 6.5 | 50 | 12 | 6 | M6 | 0.497 | 2120 |
| FXN 30 B R | -- | Tr 30x12 (P6) | 2 | 40 | 53 | 68 | 6.5 | 11 | 6.5 | 50 | 12 | 6 | M6 | 0.497 | 2120 |
| FXN 30 F R | -- | Tr 30x30 (P5) | 6 | 40 | 53 | 68 | 6.5 | 11 | 6.5 | 50 | 12 | 6 | M6 | 0.492 | 2590 |
| FXN 32 A R | FXN 32 A L | Tr 32x6 | 1 | 40 | 53 | 68 | 6.5 | 11 | 6.5 | 50 | 12 | 6 | M6 | 0.455 | 2277 |
| FXN 35 A R | FXN 35 A L | Tr 35x6 | 1 | 50 | 63 | 78 | 8.5 | 14 | 8.5 | 60 | 15 | 6 | M8 | 0.883 | 3015 |
| FXN 36 A R | FXN 36 A L | Tr 36x6 | 1 | 50 | 63 | 78 | 8.5 | 14 | 8.5 | 60 | 15 | 6 | M8 | 0.854 | 3110 |
| FXN 40 A R | FXN 40 A L | Tr 40x7 | 1 | 55 | 68 | 84 | 8.5 | 14 | 8.5 | 65 | 15 | 6 | M8 | 1.066 | 3727 |
| FXN 40 B R | -- | Tr 40x14 (P7) | 2 | 55 | 68 | 84 | 8.5 | 14 | 8.5 | 65 | 15 | 6 | M8 | 1.066 | 3727 |
| FXN 40 E R | -- | Tr 40x40 (P8) | 5 | 55 | 68 | 84 | 8.5 | 14 | 8.5 | 65 | 15 | 6 | M8 | 1.075 | 3675 |
| FXN 44 A R | FXN 44 A L | Tr 44x7 | 1 | 55 | 72 | 90 | 8.5 | 14 | 8.5 | 65 | 15 | 6 | M8 | 1.029 | 4135 |
| FXN 45 A R | FXN 45 A L | Tr 45x8 | 1 | 55 | 72 | 90 | 8.5 | 14 | 8.5 | 65 | 15 | 6 | M8 | 0.999 | 4186 |
| FXN 50 A R | FXN 50 A L | Tr 50x8 | 1 | 65 | 80 | 100 | 10.5 | 17 | 10.5 | 80 | 20 | 6 | M10 | 1.749 | 5780 |
| FXN 55 A R | -- | Tr 55x9 | 1 | 65 | 80 | 100 | 10.5 | 17 | 10.5 | 80 | 20 | 6 | M10 | 1.475 | 6345 |
| FXN 60 A R | FXN 60 A L | Tr 60x9 | 1 | 75 | 95 | 120 | 12.5 | 19 | 12.5 | 100 | 25 | 6 | M12 | 2.927 | 8718 |

(1) Total bearing surface between screw and nut teeth on plane perpendicular to axis.

We reserve the right to change sizes and features without notice.